

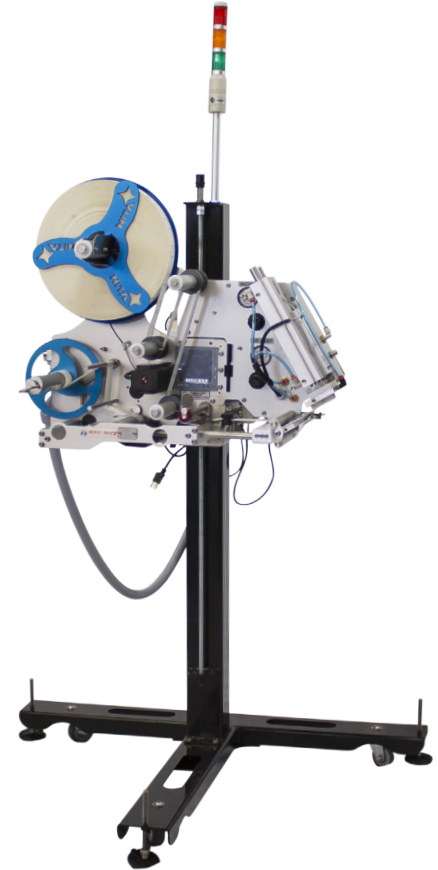
Just about the  
**ONLY**  
place it won't apply a label is  
**INSIDE**  
your container !

The **AE-612MKIITB (Tamp Blow)** labeler is a high-end, servo-driven labeling head, ideal for when a label needs to be applied in:

- Highly recessed areas
- Difficult to reach and high accuracy areas
- On very delicate products (SmartTamp option)

NITA's AE-612MKIITB Tamp blow labeling system uses high pressure air and a tamp pad to hold the label in position until discharge is required. Once the container is in place the air flow is reversed and the label is applied with precision and speed. If you need to apply a label in a tight spot, on a fragile item or on a horizontal bagger then the AE612MKIITB is the perfect solution.

Nita has engineered the world's most technologically advanced label application systems. Our commitment to building incredibly **user friendly** equipment infused with ergonomic functionality and cutting edge technology truly differentiates our SMART labeling machines from the rest of the pack. Non-proprietary, maintenance-free parts and drive-managed servo motors form the backbone of Nita's Simply Easy™ formula where the fixed-position sensors work in perfect synchronicity with the conveyor belt and labeling head speeds. We pay attention to the small "quick changeover" details like high-precision rulers, color coded dials and one-touch adjustment handles that complement the intuitive Virtual Operator Assistant™ programmed with your setup recipes.



NITA IS THE INDUSTRY LEADER IN  
LABEL APPLICATION EQUIPMENT  
WITH IT'S INNOVATIVE TECHNOLOGY  
AND EASY TO USE, SMART LABELING SYSTEMS !

- **VERY EASY TO OPERATE**
- **SIMPLE SETUPS**
- **QUICK CHANGEOVERS**
- **VIRTUALLY WASTE-FREE**
- **NO PROPRIETARY PARTS**

**NITA. OUR PRODUCT APPLIES YOUR LABELS. WE SPECIALIZE IN YOUR SATISFACTION !**  
**NO GUESSING – NO ENDLESS TWEAKING – NO MISTAKES**

## TAMP-BLOW

Top, Bottom, Front & Side Pressure Sensitive Label Applicator



## NO GUESSING – NO TWEAKING – NO MISTAKES

### VIRTUAL OPERATOR ASSISTANT™

Nita's Virtual Operator Assistant™ software is the most easily understood and intuitive HMI ever developed for a labeling system. Operators will find this software extremely easy to use. Just enter the desired product on the large touch-screen display and the Virtual Operator Assistant™ walks you through the complete setup or changeover process. The result is perfectly placed labels every time!

- Program and store up to 10 products in memory
- Recall any product from memory
- Provides step-by-step mechanical adjustment information
- Automates the entire electronic system control and operation
- Displays on-screen system diagnostics and troubleshooting

## QUICK AND EASY SETUPS AND CHANGEOVERS

### QUICKADJUST™

Nita's QuickAdjust™ system features color-coded handles, knobs and measurement scales located at each adjustment point on the equipment. The precision scales eliminate all "guess work" and add repeatability to setup or changeover adjustments. Simply follow the Virtual Operator Assistant™ software that tells you exactly which adjustments to make and with the QuickAdjust™ system you're done in a snap!

- All machine adjustments are "tool-less"
- Mechanical adjustments are identified by both letters and color codes
- Each adjustment has a corresponding scale
- Scales are precisely marked for maximum repeatability
- Scales are easy to read and manipulate

## SAVE TIME AND MONEY

### SMARTSYNC™

Nita's SmartSync™ system is our smart drive communication that ensures complete synchronization of all labeling functions. Labels are always perfectly applied, regardless of speed, bunching or interruptions.

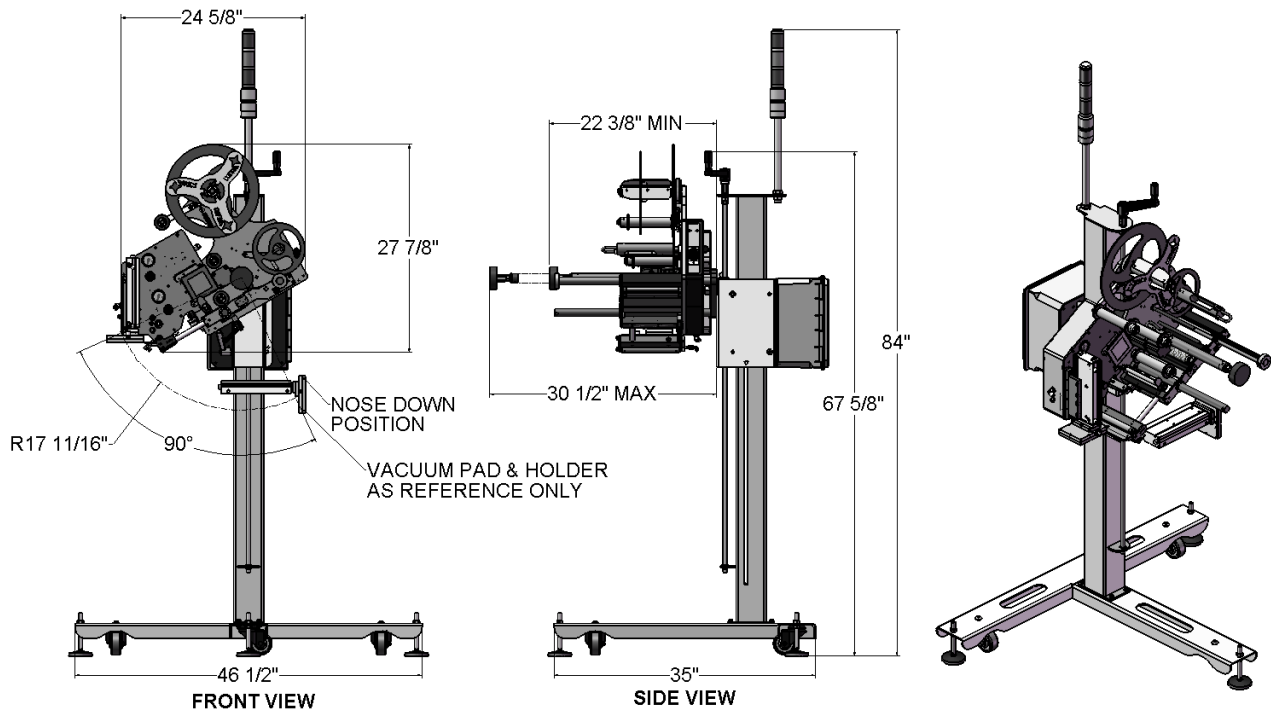
Stop, start, slow down, accelerate, change labels or containers all with no problem. SmartSync™ technology provides almost maintenance-free, highly reliable and accurate labeler performance!

- Motors equipped with smart drives for truly synchronized operation
- "Slow-motion" setup with adjustable speed control
- Significant improvement of labeling performance at any speed
- Virtual elimination of wasted labels and containers
- Years of reliable, maintenance-free operation



# TAMP-BLOW

Top, Bottom, Front & Side Pressure Sensitive Label Applicator



|                         |   |
|-------------------------|---|
| <b>Power:</b>           | 120 VAC, 60 Hz, 5 Amps  |
| <b>Labeling rate:</b>   | 1570"/min (40 meters/min)   |
| <b>Accuracy:</b>        | +/- 1/16" (1.59 mm)   |
| <b>Min. label:</b>      | 1/2" (12.7 mm) wide x 1/2" (12.7 mm) long   |
| <b>Max. label:</b>      | 6" (152.4 mm) wide x 10" (254 mm) length<br>Wide web width up to 9" (229 mm) option available |
| <b>Media roll size:</b> | 12" (304.8 mm) OD on 3" (76.2 mm) CORE  |
| <b>Motor:</b>           | SERVO   |
| <b>Controller:</b>      | Touch screen HMI  |
| <b>Weight:</b>          | 75 Lbs.   |
| <b>Label detection:</b> | Photo-eye (fixed)   |

## TAMP-BLOW

Top, Bottom, Front & Side Pressure Sensitive Label Applicator

### PERFORMANCE

- Servo driven AE612-MKII labeling head
- Maintenance-free servo-motors
- Standard 6" web width (152.4 mm), 12" diameter media roll (304.8 mm) on 3" core (76.2 mm)
- Dispensing speeds up to 1570"/min (40meters/min)
- Dispensing precision of +/- 1/16" (1.59 mm)
- User friendly color-evident adjustment markings

### TECHNOLOGY CONTROLS

- No proprietary electronics & components
- "Open Architecture" servo programmable drive
- Stores up to 10 product setup recipes
- Complete product and label positioning recall
- Password protected HMI touch screen controller 3.5" (88.9 mm)
- Automatic electronic sensor positioning
- Automatic label length detection
- Automatic label teach and calibration
- Never physically move the sensors again

### CONSTRUCTION

- Stainless steel & high grade anodized aluminum
- Precision sealed bearings
- Single belt drive technology for faster and precise ramp up & down
- Adaptable peel plates angles
- Adjustable labeler height and tilt
- Tool less changeovers

### OPTIONS AVAILABLE

- Wide web width up to 9" (229 mm)
- Clear and opaque label sensor
- Status Lamp tower
- Low web sensor
- Loose loop printer (for Print & Apply)
- Integration of any coder type
- Encoder

### GREAT RETURN ON INVESTMENT

Nita smart labeling systems provide excellent value and ROI through outstanding labeling performance, ease of use, quick setups and changeovers, and the virtual elimination of rework and waste.



Distributed by

